

# ESC600 Centrifuge

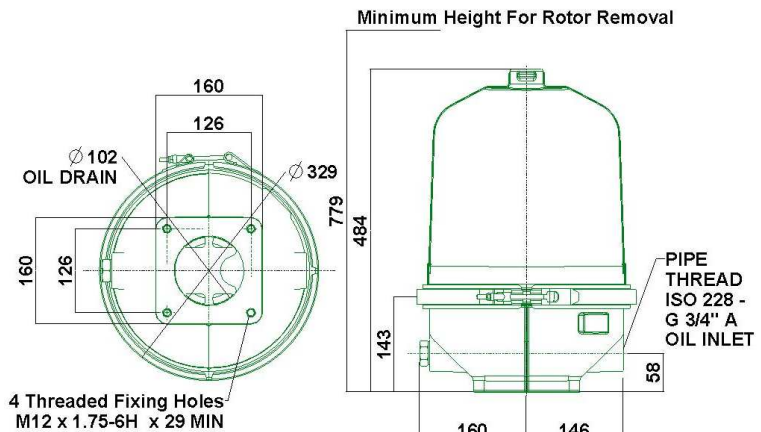
## Technical Data



### BENEFITS

- Cleaner oil and extended oil life
- Lengthens service intervals
- Reduces engine wear
- Enhances long-term preventative maintenance
- Reduces maintenance costs
- Cuts waste disposal costs
- Reduces application down time
- Maximises in-service time for vehicle/engine /machine
- Reduces total cost of ownership
- Helps ensure clean combustion and fuel efficiency
- Supports engine technology for the reduction of exhaust emissions (e.g. exhaust gas recirculation)
- Centrifuge has been subjected to lifetime endurance testing for on engine applications\*\*\*

### DIMENSIONS (mm)



Model	ESC600
Part number	1432441S01
Oil inlet thread	3/4" BSP*
Cut Off Valve (C.O.V) ratings	2.5 bar*
Threaded fixing holes	M12
Net weight	23.5Kg
System capacity	200 – 1,500 litres**
Rotor dirt capacity	6 litres
Rotor oil capacity	6.5 litres
Minimum oil feed pipe size	Ø 19 mm internal
Minimum oil drain pipe size	Ø 76 mm internal

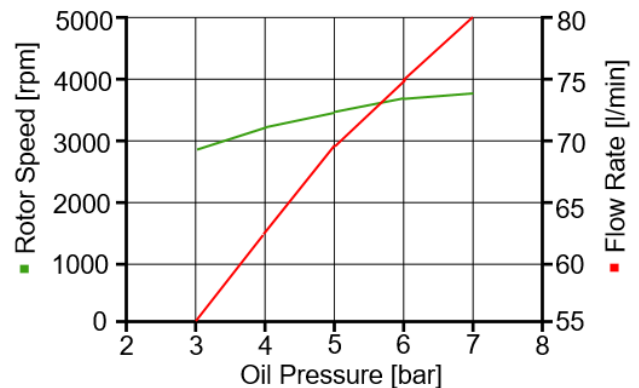
\*Can be tailored to suit customer requirements

\*\*Systems with a higher capacity can be supplied

\*\*\*Contact Mann+Hummel for further details

### PERFORMANCE CURVES

Typical Rotor Performance for SAE 40 Oil @ 100 °C



Authorised Distributor



t: +44 1264 860 186  
e: spares@simplexturbulo.com

Simplex-Turbulo is part of the **SLX** GROUP

**MANN+HUMMEL**