

FM090 Centrifuge

Technical Data

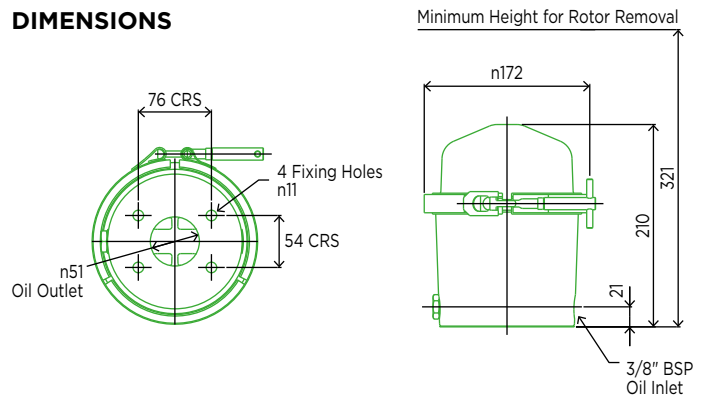


en 0817 © MANN+HUMMEL

BENEFITS

- Cleaner oil and extended oil life
- Lengthens service intervals
- Reduces engine wear
- Enhances long-term preventative maintenance
- Reduces maintenance costs
- Cuts waste disposal costs
- Reduces application down time
- Maximises in-service time for vehicle/engine/machine
- Reduces total cost of ownership
- Helps ensure clean combustion and fuel efficiency
- Supports engine technology for the reduction of exhaust emissions (e.g. exhaust gas recirculation)
- Fast return on investment
- Cleanable metal rotor

DIMENSIONS

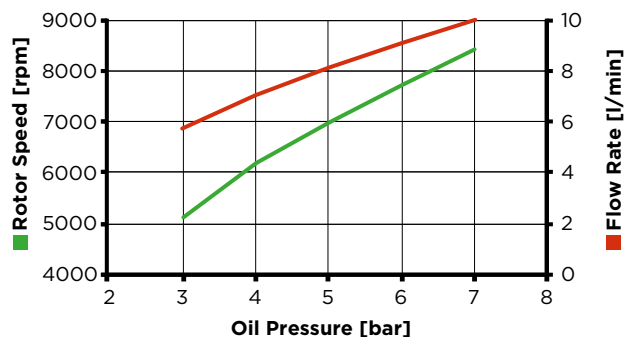


Model	FM090-31
Part number	68 991 42 101
Oil inlet thread	3/8" B.S.P.*
Cut Off Valve (C.O.V.) ratings	1.3 bar*
Net weight	3.5 kg
System capacity	15 - 90 litres
Rotor dirt capacity	0.9 litres
Rotor oil capacity	1.125 litre
Minimum oil feed pipe size	Ø 9.5 mm internal
Minimum oil drain pipe size	Ø 38 mm internal

*Can be tailored to suit customer requirements
Other features can be included to suit specific customer requirements

PERFORMANCE CURVES

Typical Rotor Performance for SAE 30 Oil @ 100°C



Authorised Distributor



t: +44 1264 860 186
e: spares@simplexturbulo.com

Simplex-Turbulo is part of the **SLX** GROUP

