

FM600 Centrifuge

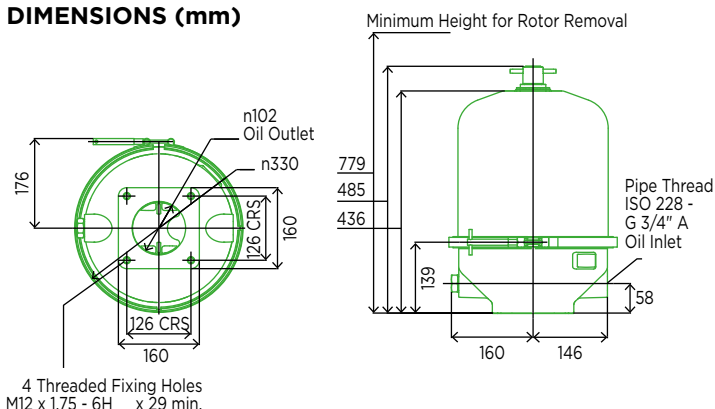
Technical Data



BENEFITS

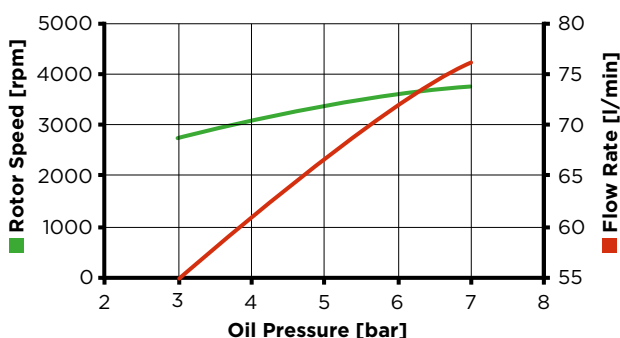
- Cleaner oil and extended oil life
- Lengthens service intervals
- Reduces engine wear
- Enhances long-term preventative maintenance
- Reduces maintenance costs
- Cuts waste disposal costs
- Reduces application down time
- Maximises in-service time for vehicle/engine/machine
- Reduces total cost of ownership
- Helps ensure clean combustion and fuel efficiency
- Supports engine technology for the reduction of exhaust emissions (e.g. exhaust gas recirculation)

DIMENSIONS (mm)



PERFORMANCE CURVES

Typical Rotor Performance for SAE 30 Oil @ 100°C



Model	FM600-23
Part number	68 991 18 901
Oil inlet thread	3/4" B.S.P.*
Cut Off Valve (C.O.V.) ratings	2.5 bar*
Threaded fixing holes	M12
Net weight	25 kg
System capacity	200 - 1,500 litres**
Rotor dirt capacity	6 litres
Rotor oil capacity	6.5 litres
Minimum oil feed pipe size	Ø 19 mm internal
Minimum oil drain pipe size	Ø 76 mm internal

*Can be tailored to suit customer requirements

**Systems with a higher capacity can be supplied.

Authorised Distributor



t: +44 1264 860 186

e: spares@simplexturbulo.com



Simplex-Turbulo is part of the **SLX** GROUP

Leadership in Filtration

MANN+HUMMEL